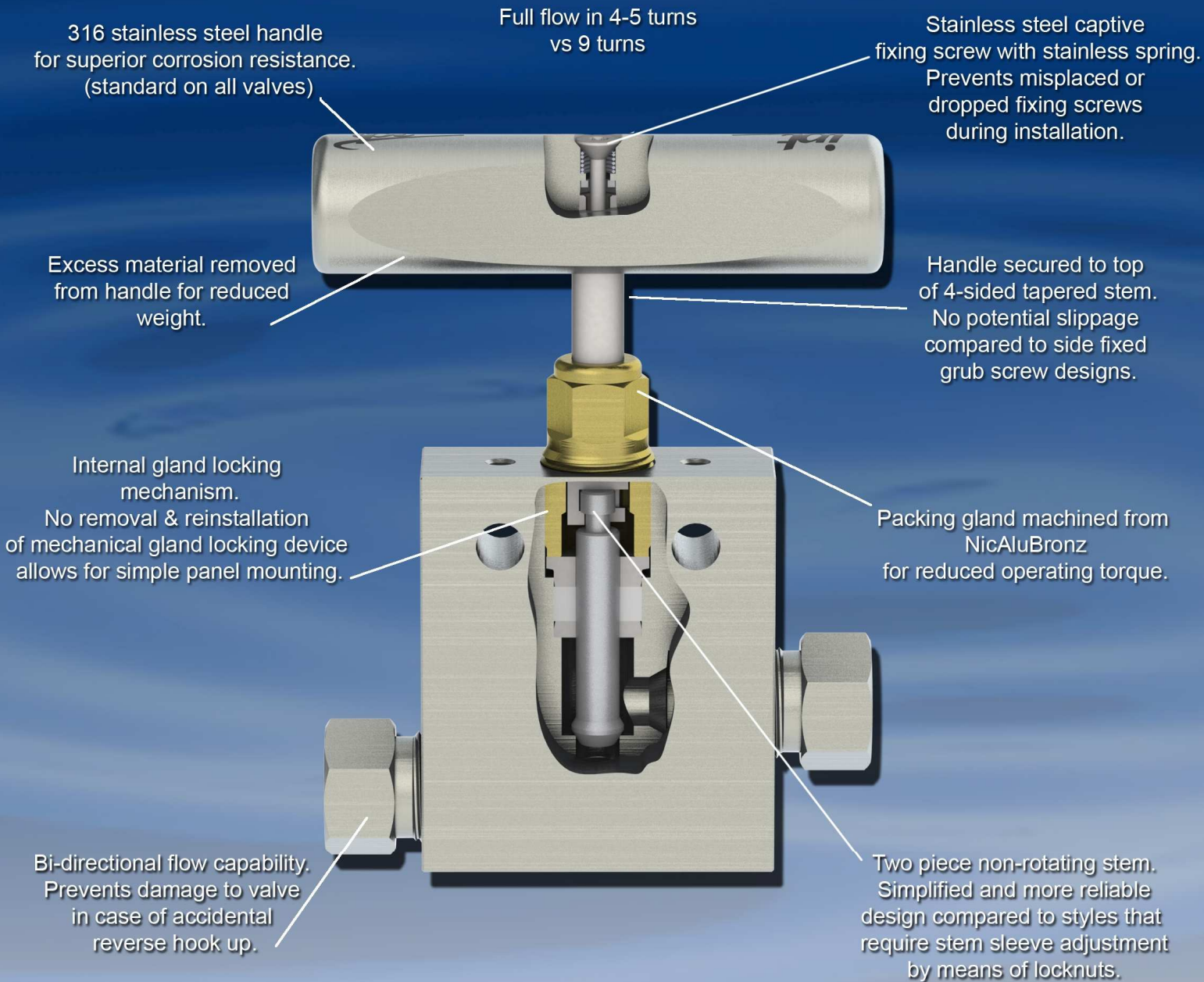


Smart Two-Piece Needle Valve

Patent Pending



ipt Innovative Pressure
TECHNOLOGIES

www.inpressure.com